



Reliable Digital Security Products

## LBSM-752F

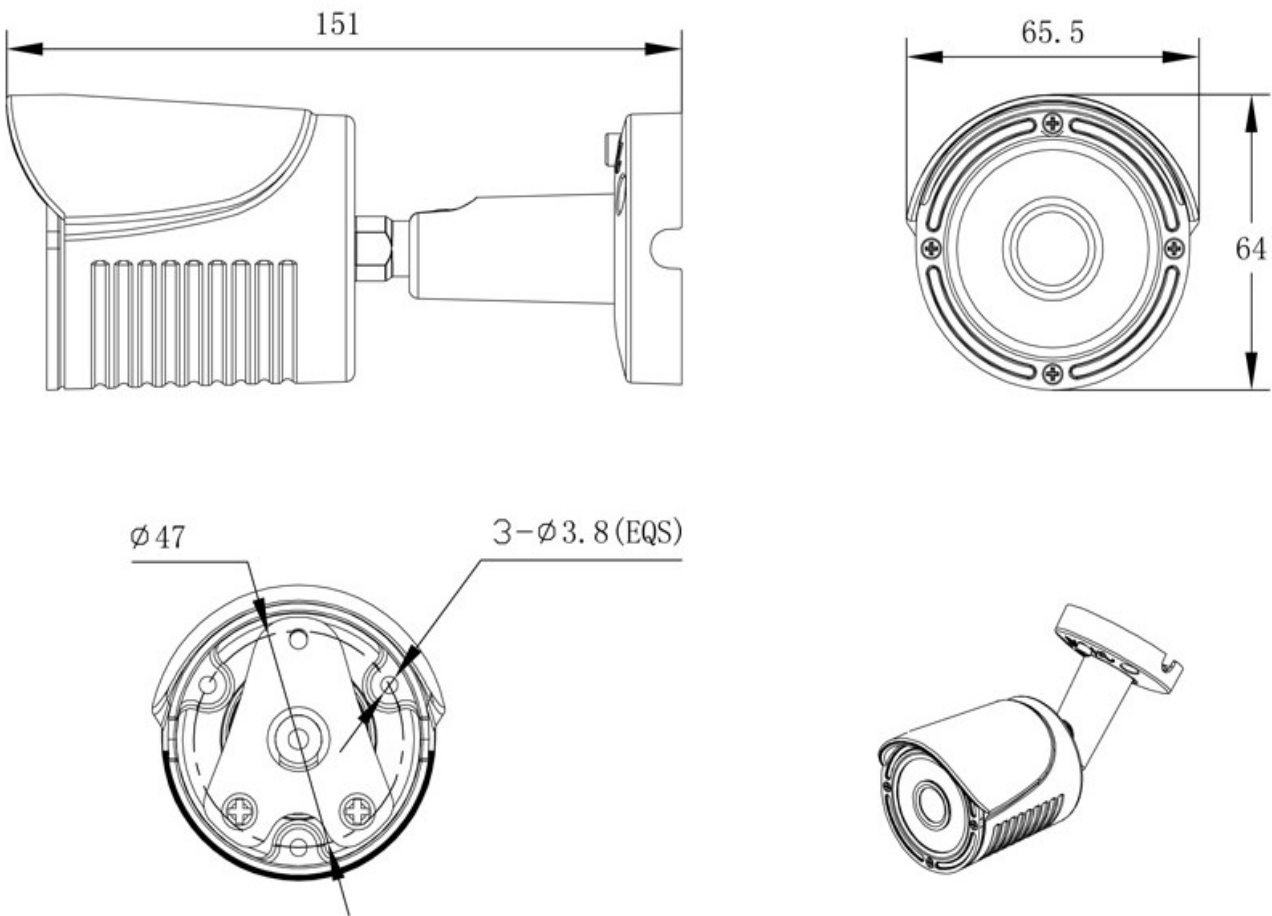
- 4-IN-1 AHD/CVI/TVI/CVBS
- **2Mp/4Mp/5Mp** HD Video Out
- Fixed Lens 2.8mm
- 20M Night Vision
- IP67 WaterProof



<b>Camera</b>	
Image Sensor	1/3" CMOS Sensor
Image Resolution	5Mp (2592x1944), 4Mp (2560x1440), 2Mp (1920x1080)
Video Output Mode	<b>AHD/TVI</b> : 5Mp@20fps/12.5fps, 4Mp@30fps, 2Mp@30fps; <b>CVI</b> : 4Mp@30fps, 2M@30fps
Electronic Shutter	AUTO
TV System	PAL/NTSC
Scanning System	Progressive Scan
<b>Lens</b>	
Focus Length	Board Lens 2.8mm
Focus Control	Fixed
Lens Type	Fixed
<b>Night Vision</b>	
IR Cut Filter	YES
Infrared LED	14μ x 18PCS
Infrared Distance	20M
IR Status	AGC Auto Control
<b>Camera Features</b>	
Starlight	/
Day/Night	YES
OSD Menu Language	YES
White Balance	AUTO / MANUAL
Gain Control	AUTO
Noise Reduction	DNR
WDR	DWDR
UTC	YES

<b>General</b>	
Housing	IP67
Bracket	YES
Operation Temperature	-10°C ~ +60°C RH95% Max
Storage Temperature	-20°C ~ +60°C RH95% Max
Power Source	DC12V±10%,550mA
Dimension	151(W) x 64(H) x 65.5(D)mm
Weight	700g

## Dimensions



\* Specifications are subject to change without notice.