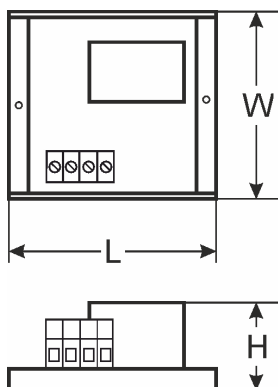
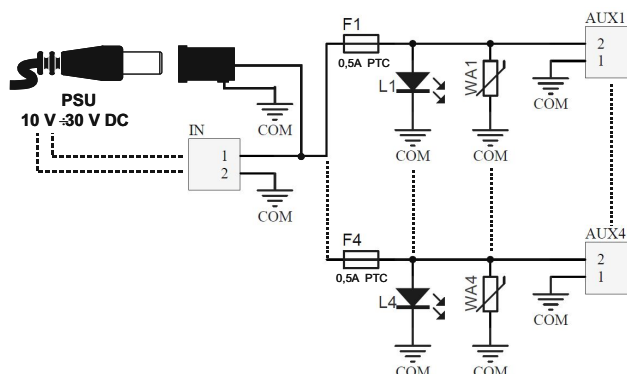
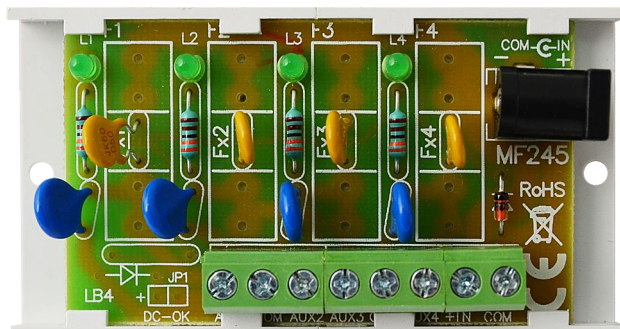


CODE: **AWZ574** v.1.0/V  
NAME: **LB4A/0,5A/PTC fuse module**

EN



### DESCRIPTION

The fuse module is intended for dividing power in low-voltage alarm systems (power distribution) that require voltage within the range of: 10V ± 30V DC. It contains two power inputs: a screw connector and a DC 5,5/2,1 outlet and four power outputs AUX1÷AUX4 which are independently secured with PTC0,5A polymer fuse. An activation of the PTC fuse is indicated by an appropriate LED going out: L1 for AUX1, L2 for AUX2 etc. Additionally, each output is secured by a varistor which protects the PSU and the receivers against surges in the power circuit.

### SPECIFICATIONS

<b>Supply voltage</b>	10V ± 30V DC
<b>Output voltage</b>	$U_{AUX} = U_{IN}$ (equal to supply voltage)
<b>Current consumption</b>	5 mA ± 30 mA @ $U_{IN} = 10V \pm 30V$ DC
<b>Number of power inputs</b>	2: a DC 5,5/2,1 outlet or a screw connector
<b>Number of power outputs</b>	4 (AUX terminals)
<b>Protections against:</b>	
- a short circuit SCP *	- 4 x 0,5A PTC
- an overload OLP	- 4 x 0,5A PTC
- a surge	- varistors
<b>LED indication</b>	Green LEDs L1 ÷ L4 – AUX1 ÷ AUX4 outputs status
<b>F1 ÷ F4 fuses</b>	4 x 0,5A PTC
<b>Operating conditions</b>	II environmental class, -10°C +50°C
<b>Dimensions</b>	L=80, W=43, H=21 (+/-2mm)
<b>Fixing</b>	a mounting tape or dowel pins x2 (holes ∅3mm)
<b>Connectors:</b>	
- of power output	- screw connectors ∅0,41±1,63 (AWG 26-14)
- of power input	- a DC 5,5/2,1 outlet or a screw connector ∅0,41±1,63 (AWG 26-14)
<b>Net/gross weight</b>	0,03kg / 0,05kg
<b>Declarations, warranty</b>	CE, 2 year from the production date

\* Using power supply unit with too low current efficiency may cause (in the case of a short-circuit at one of the outputs of the module) temporary power loss at other outputs.