



2MP IR Dome HD Camera 1080p

Weatherproof IR Dome Camera

1/2.9" SONY 2.0 Megapixel CMOS Sensor/1080p

AHD / TVI / CVI / CVBS 4 IN 1

25fps@1080P Color Camera

24 pcs ϕ 5mm IR-LED, IR Range 20M

Built-in 2.8mm ICR Lens

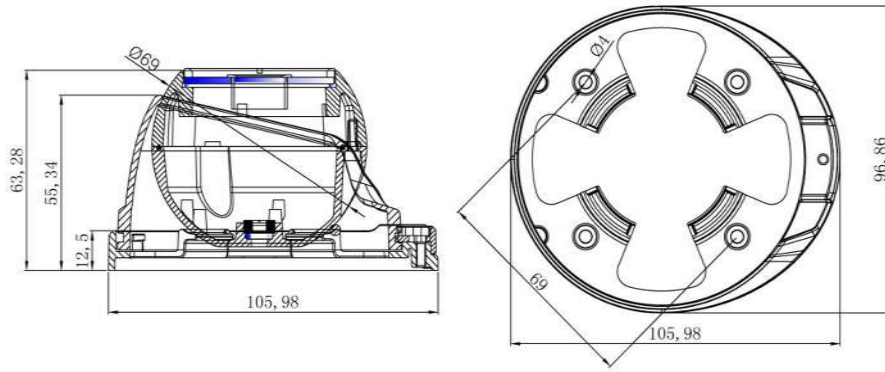
Metal and Plastic, IP66, Indoor / Outdoor Use



■ Specifications

Model Name	HTR-2312B-S4.1
Image Device	1/2.9" SONY 2.0 Megapixel CMOS Sensor
CMOS Sensor	IMX323
DSP Device	FH8536E
Picture Elements	1920(H)×1080(V) , 1080P
Min. Illumination	0.01Lux
TV System	PAL/NTSC
Lens Furnished	2.8mm ICR Lens
Infrared Luminary	24 pcs ϕ 5mm IR-LED
Illuminate Distance	20 M
Waterproofing Criterion	IP 66
Wavelength	850 nm
S/N Ratio	More than 41dB
Electronic Shutter	AUTO/1/50(1/60)-1/50,000sec
OSD Menu	Yes
D-WDR	Off/Auto/On
Noise Reduction	3DNR
BLC	AUTO
AWB	AUTO
Day&Night	EXT/B/W/Color/Auto
Sync. System	Internal
Video Output	1 Vp-p / 75 Ohms
Power Supply	DC12V±10%
Operation Temperature	-20°C ~ +50°C
Dimension	105.98x63.28 mm
Weight	600g

■ Size Chart



Design and specifications are subject to change without notice.